

5 SERIES 106-126 HP

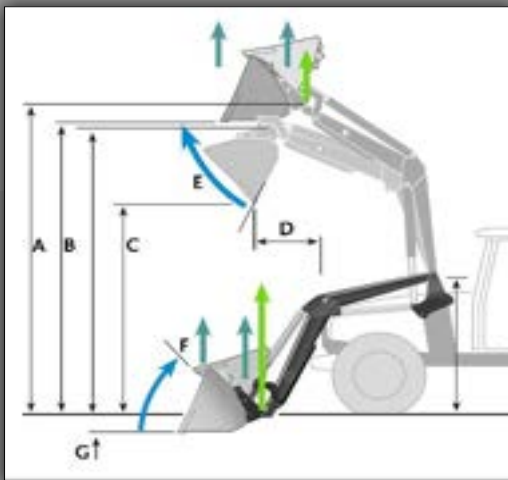


Technical Data		5105	5125
ENGINE			
Type		FARMotion 45	
Aspiration		Turbo Intercooler	
Cylinders/Displacement	no./liters	4 / 3.849	
Max. power @ 2000 rpm	hp	106	126
Rated power @ 2200 rpm	hp	101	120
Max. torque @ 1400 rpm	ft-lb	313	374
Torque rise	%	32	31
Fuel tank / AdBlue	gal	38.3 / 2.6	38.3 / 2.6
TRANSMISSION			
PowerShuttle with Stop&Go		•	
Max. Speed	mph	24.5	
HI-LO TRANSMISSION			
N° of speed	n°	40 + 40 with creepr and underdrive	
PTO			
Electrohydraulic engagement		•	
PTO speeds		540/540E	540/540E/1000/1000E
LIFT			
Mechanical rear lift		•	-
Electronic rear lift		-	•
Rear lifting capacity (STD / OPT)	lb	7,935	11,900
Rear lift link category	cat.	Cat. II Automatic	Cat. II Automatic
HYDRAULICS			
Single pump hydraulic system (STD)	gal/min	14.5	
Free Flow Return		Standard	
Rear spool valves	n°	3	
BRAKES			
4 wheel braking		•	
Mechanical parking brake		•	
FRONT AXLE			
Steering angle	°	55	
Electrohydraulic engagement for 4WD and Diff.Lock		•	
Independent steering pump		•	
CAB			
High visibility roof		•	
HVAC		•	
Air ride suspension seat		•	
Passenger seat		•	
External controls on rear mudguard for power take-off		•	
External controls on rear mudguard for three point linkage		-	•
DAB radio with Bluetooth and USB		•	
Bracket for external monitor / device		•	
12 work lights		•	

• = standard – = not available

Technical Data		5105	5125
DIMENSION			
With front tire	Size	420/70 R24	440/65 R28
With rear tire	Size	480/70 R34	540/65 R38
Wheelbase (A)	in	94.5	94.5
Max. length (B)	in	168	168
Total height (C)	in	105.6	107
Width (E)	in	81.1	87
Front tracks with adjustable rims (min-max)	in	65.4 - 77.8	68.1 - 83.9
Rear tracks with adjustable rims (min-max)	in	63.1 - 78.8	67.2 - 82.9
Weight	lb	8,820	9,590
Total admissible load	lb	14,330	16,530

• = standard ◦ = option – = not available



Series (& Loader)			5105 FZ46-33.1	5125 FZ46-33.1
DIMENSIONAL SPECIFICATIONS				
A	Maximum lift height at pivot point	in	152	
B	Maximum lift height under level bucket	in	143	
C	Clearance with bucket dumped	in	110	
D	Reach at maximum lift height	in	28	
E	Maximum dump angle (full lift height)	deg	57	
F	Maximum rollback angle (ground level)	deg	44	
G	Digging depth	in	8.3	



LIFT CAPACITY at 2828psi (195 bar)		
At pivot pin, max lift height	lbf	3417
At pivot pin, ground level	lbf	5070

At 31.5" forward of pivot point, max lift height	lbf	3417
At 31.5" forward of pivot point, ground level	lbf	5070

Bucket Rollback Force at 31.5" / 800mm forward of pivot point		
At ground level	lbf	6415

Weight (loader boom only)	lb	1330
---------------------------	----	------