



CX Series

25 HP





Looking for a compact tractor small enough to fit into tight spaces and large enough to handle any job? Look no further than the CX2510. Featuring the size, performance and comfort you need, sounds like it's the perfect fit.

Manual or HST
Dual Pedals (HST only)
Tilt Steering

Open Station Platform
Convenient Controls
Single Lever Joystick

CX2510

FLEXIBLE FUN FOR ALL YOUR DIRTY WORK.



Tilt Wheel with Power Steering

Hydrostatic power steering minimizes the effort required to make tight, repetitive turns. The standard tilt steering wheel ensures all operators have a comfortable driving experience.

Illuminated Dashboard

The dashboard illuminates when the engine is started ensuring great visibility while working in bright daylight or at night.

Tool Box

A conveniently located tool box behind the seat provides storage.

3-Point Hitch

With an adjustable right side lift rod and top link, you can easily and quickly attach implements.

Cruise Control (HST Only)

The convenient and easy to use cruise control enables the operator to match speed to field conditions and reduce fatigue.

Single Lever Joystick

The operation of the front loader is made easier by the use of a single lever joystick. The lever automatically returns to neutral and the loader stops in place when the joystick is released. A float position allows the bucket free floatation over the ground surface.

Comfortable Seat with Suspension

With a high quality adjustable suspension seat the operator enjoys a comfortable and smooth ride. A seat belt is included for safety.

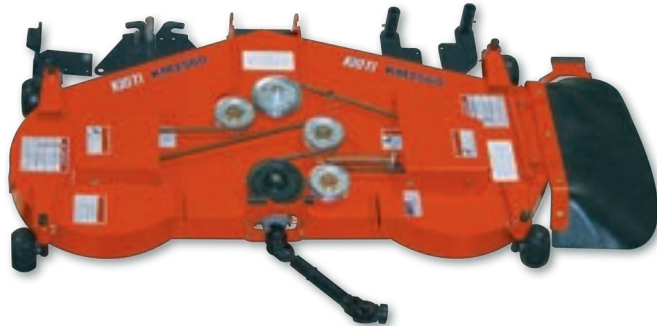


EXPERIENCE THE NEW CX SERIES

Mid-Mount Mower

The KM2560 mower is designed for compatibility with the loader attachment, making your tractor even more of a workhorse.

With easy and effortless operation the KM2560 provides superior cut quality with a drive over deck design making it the perfect addition to the CX Series.



MODEL	KM2560
Compatible Tractor Model(s)	CX2510/CX2510H
Cutting Width	60 in. (1,524 mm)
Overall Width	74 in. (1,879.6 mm)
Cutting Height Range	1.5 in. (38.1 mm) - 4.5 in. (114.3 mm)
Deck Shell Thickness / Grade 50 Steel	10 gauge / .1345 in. (3.4163 mm)
Spindle Speed @ 2,800 RPM	3,334 RPM
Shipping Weight (60" Deck and Mounting)	411 lbs. (186.43 kg)
Blade Tip Speed	18,343 ft/min
Number of Blades	3
Blade Length	21 in. (533.4 mm)
Blade Width	2.5 in. (63.5 mm)
Blade Thickness	.25 in. (6.35 mm)

* Specifications and design are subject to change without notice.



Foldable ROPS

The standard fold-down roll bar makes it quick and easy to maneuver in low clearance areas.



USB and Power Socket

Power and USB sockets come standard to meet a variety of electrical needs.



Hi/Low Speed Ranges

The CX features a two range transmission (Hi/Low) to maximize performance and efficiency.



Manual & HST Transmission

The manual transmission model features 6F/2R speeds. The HST model utilizes a performance proven, heavy-duty HST that delivers power smoothly and efficiently. With the HST drive your hands remain free for steering and implement control.



Dual HST Pedals

CX2510 HST models utilize a two pedal system for forward and reverse with smooth engagement, acceleration and deceleration. Dual pedals provide easier use which reduces operator fatigue during long hours of work and when doing repetitive tasks.



Streamlined Hood Design

Visibility and serviceability are improved for the operator with the streamlined hood design. The vertical opening hood allows for easy access to the air filter, fluid service, fuse box and other major electrical components.

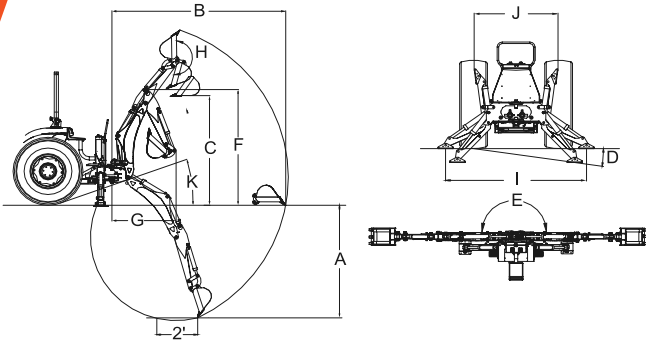


KIOTI VALUE TRACTOR

Backhoe

The subframe mounted KB2465 backhoe can be easily attached and detached using locking pins and quick-connect hydraulics. The backhoe's offset subframe design provides a large approach angle for the easiest trailer loading in its class.

Backhoe Specifications



MODEL	KB2465
A Digging Depth (Two Foot Flat Bottom)	76.3 in. (1,940 mm)
B Reach from Center Line of Swing Pivot	113.1 in. (2,875 mm)
C Loading Height (Bucket at 60°)	63.6 in. (1,615 mm)
D Maximum Leveling Angle	10°
E Swing Arc	180°
F Transport Height (Maximum)	77.2 in. (1,960 mm)
G Transport Overhang	43.5 in. (1,105 mm)
H Bucket Rotation	180°
I Stabilizer Spread (Down Position)	68.7 in. (1,745 mm)
J Stabilizer Spread (Up Position)	46.4 in. (1,180 mm)
K Angle of Departure	21°
Shipping Weight (Without Bucket)	1,036 lbs. (470 kg)
Bucket Digging Force	2,817.5 lbs. (1,278 kg)
Dipperstick Digging Force	1,748 lbs. (793 kg)
Operating Pressure	2,466 psi (170 bar)

Cylinders

Cylinder	Bore DIA	Retracted Length	Stroke	Rod DIA
Boom	2.75"	23"	15.1"	1.57"
Bucket	2.36"	21"	11.7"	1.38"
Dipperstick	2.36"	20.6"	11.9"	1.38"
Swing	2.36"	15.67"	8.78"	1.38"
Stabilizer	2.36"	17.5"	10.31"	1.38"

* Specifications and design are subject to change without notice.

Buckets

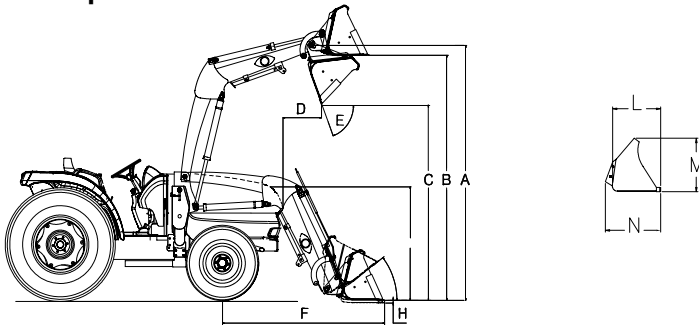
Bucket	Teeth Quantity	Struck Capacity	Heaped Capacity	Shipping Weight
9" Bucket	3	0.73 cu. ft.	0.87 cu. ft.	46 lbs.
12" Bucket	3	1.01 cu. ft.	1.24 cu. ft.	56 lbs.
16" Bucket	3	1.38 cu. ft.	1.76 cu. ft.	64 lbs.
18" Bucket	4	1.56 cu. ft.	2.02 cu. ft.	70 lbs.
24" Bucket	5	2.11 cu. ft.	2.82 cu. ft.	94 lbs.
36" Muck Bucket	6	2.78 cu. ft.	4.00 cu. ft.	114 lbs.

* Specifications and design are subject to change without notice.

Front End Loader

The KIOTI KL2510 front end loader is specially designed for the CK2510 tractor, providing efficient performance with single joystick control and a quick attach bucket. The KIOTI loader is designed for quick and easy attachment and detachment.

Loader Specifications



Cycle Times	1,500 rpm	2,000 rpm	2,600 rpm (Full)
Raise Boom Frame	4.3 sec	3.2 sec	2.5 sec
Lower Boom Frame	2.3 sec	1.7 sec	1.5 sec
Dump Bucket	5.5 sec	4.4 sec	3.5 sec
Retract Bucket	3.4 sec	2.5 sec	1.5 sec

* Specifications and design are subject to change without notice.

MODEL	KL2510
A Maximum Lift Height to Pivot Pin	87.8 in. (2,230 mm)
B Clearance w/ Bucket Level	84.3 in. (2,141 mm)
C Clearance w/ Bucket Dumped	67.2 in. (1,706 mm)
D Reach at Maximum Height	31.5 in. (800 mm)
E Maximum Dump Angle	53°
F Reach w/ Bucket on Ground	59.8 in. (1,520 mm)
G Maximum Rollback Angle	35°
H Digging Depth Below Grade	3.9 in. (99 mm)
J Overall Height in Carry Position	40 in. (1,016 mm)
L Bucket Depth (Inner Shell)	19.9 in. (505 mm)
M Bucket Height	20.7 in. (526 mm)
N Bucket Length (Pivot Pin)	26.9 in. (682 mm)
Lift Capacity to Full Height at Pivot Pins	1,092 lbs. (495 kg)
Breakout Force at Pivot Pins	1,843 lbs. (836 kg)
Bucket Rollback Force at Ground Line	1,416 lbs. (642 kg)
Relief Valve Setting (Loader Control Valve)	2,275 psi
Rated Flow (Tractor System)	6.86 gpm (26 L/min)
Bucket Size Available (QA)	50 in. (1,270 mm)
Approximate Weight (With Bucket)	605 lbs. (274 kg)
Bucket Capacity (Heaped)	7.8 cu. ft.

* Specifications and design are subject to change without notice.



ISO 9001
NO.954596



ISO 14001
NO.771475



OHSAS 18001
NO.K033008

SPECIFICATIONS

MODEL	CX2510		CX2510 HST	
ENGINE				
Model	3A165LWH-U2			
Type	3Cyl., In-line Vertical, Water-cooled 4-cycle diesel engine			
Engine Gross	hp (kW)	24.5 (18.2)		
PTO @ Rated PTO rpm	hp (kW)	19.3 (14.4)	18.8 (14)	
Displacement	cu. in. (cc)	87 (1,647)		
Rated Revolution	rpm	2,600		
Fuel Tank Capacity	US gal. (ℓ)	6.6 (25)		
DRIVE TRAIN				
Clutch	Dry single			
Transmission	Manual	Hydrostatic		
Speeds	6F/2R	Infinite, 2 range		
Differential Lock	Rear Standard			
Brake	Wet Disc Type			
PTO Type	Transmission	Live		
Rear PTO (Standard)	rpm	540		
Mid PTO (Optional)	rpm	2,000		
4WD Type	Mechanical Engagement			
HYDRAULIC SYSTEM				
Pump	Gear			
Pump Capacity (Max. Flow Rate)	gpm (L/min)	11.3 (42.9)		
3-Point Hitch	Category I			
Maximum Lifting Capacity (24" aft. of hitch)	lb. (kg)	1,203 (546)		
Hydraulic Lift Control System	Position			
Number of Remote Valves	(1 Optional)			
Steering	Power Steering			
TIRE SIZE				
Front AG. (Turf, Industrial)	7.0-12 (23×8.5-12, 23×8.5-12)			
Rear AG. (Turf, Industrial)	11.2-16 (33×12.5-16.5, 12-16.5)			
TRAVELING SPEEDS				
Forward	mph (km/h)	0.75-10.8 (1.22-19.07)	0-10.7 (0-21.74)	
Reverse	mph (km/h)	0.92-4.2 (1.51-7.40)	0-7.46 (0-15.22)	
DIMENSIONS				
Overall Length (Includes 3-pt Hitch)	in. (mm)	109.08 (2,790)		
Overall Width (Minimum Tread)	in. (mm)	49.4 (1,256)		
Overall Height (From Top of ROPS)	in. (mm)	82.8 (2,103)		
Wheelbase	in. (mm)	59.8 (1,520)		
Min. Ground Clearance	in. (mm)	13.4 (340)		
Tread	Front (AG.)	in. (mm)	38.1 (968)	
	Rear (AG.)	in. (mm)	37.4 (951)	
Min. Turning Radius (With Brake)	ft. (m)	8.3 (2.53)		
Weight with AG. Tires	lb. (kg)	2,308 (1,047)		

* NOTE : Specifications and design are subject to change without notice. Images shown may vary from actual product.

STANDARD EQUIPMENT

- Hydrostatic Power Steering
- Rear PTO
- Headlights
- Safety Lights
- Cup Holder
- Illuminated Dashboard
- Wet Multi Disc Brakes
- Joystick Valve
- Parking Brake
- Cruise Control (HST model only)
- Adjustable Seat with Dual Armrests
- Toolbox
- USB/12 Volt Power Source

OPTIONAL EQUIPMENT

- Single Remote Hydraulic Valve
- Rear Working Light
- Front Weight
- 7 pin Socket
- Mid PTO
- 3rd Function Kit
- Sun Canopy
- Clevis Type Drawbar
- Telescopic 3-Point Lift Arms
- Engine Block Heater
- Beacon Lamp Wire Kit
- Dual Air Filter
- HST Linked Pedals

ATTACHMENTS

- Front End Loader
- Snow Blower
- Backhoe
- Contact your local KIOTI dealer for available implements and attachments.



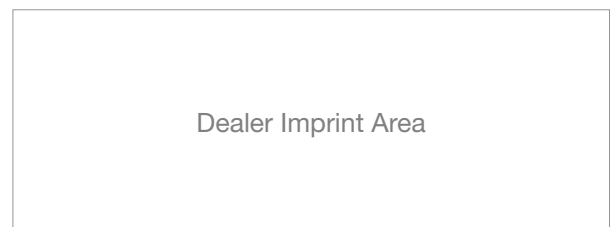
KIOTI Tractor Division

DAEDONG - USA, INC.

6300 KIOTI Drive, Wendell, NC 27591 USA

Toll free 877-GO-KIOTI • Fax 919-374-5001

Web www.KIOTI.com



Dealer Imprint Area